



submittal sheet

8707-3-2 small diameter

ApolloPress® press end copper/brass
90° street elbow FTGxF (1/2"x1/2")



job name:	
job location:	
engineer:	
contractor:	
tag:	
po#:	
rep:	
wholesale dist.:	

description

The ApolloPress® 8707-3-2 small diameter press 90° street elbow features a lead free dezincification resistant copper body and an EPDM o-ring. ApolloPress® products are manufactured utilizing proven ASTM materials and standards. Proudly made in the USA.

features

- lead free construction
- Leak Before Press® Technology
- Ridgid® XL press tool compatible
- made in USA

approvals

- UPC, CUPC & IPC
- IAPMO PS 117-2016 & TIL MSE-13
- NSF/ANSI 61 - water quality
- NSF/ANSI 372 -lead free IAPMO file listings: 4861, 6174 & N-4951

performance rating

- maximum pressure: 300 psi
- temperature range: 32°F to 250°F depending on application

ApolloPress®

- Small diameter size 1/2"
- model 8707-3-2, 90° street elbow

ApolloPress® connectors are designed for direct mechanical connection to ASTM B88-Type K, L, and M copper tubing in the hard drawn condition. Press connectors are not suitable for steam or flammable gas service.

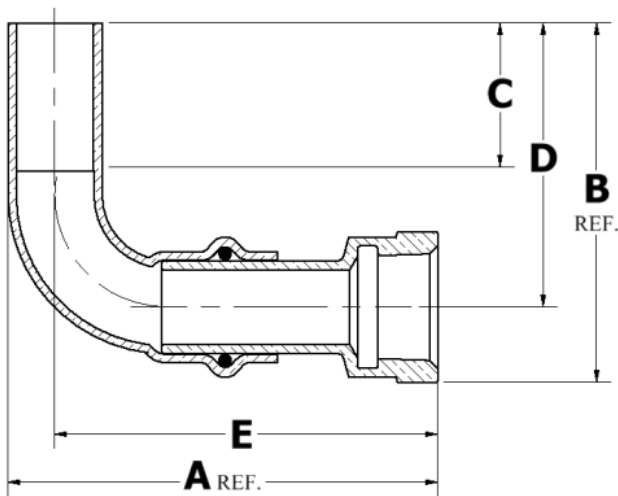
standard materials list

elbow body	UNS C12200 copper
brass body	UNS C27451 brass
sealing element	EPDM
lubrication	silicone, ANSI/NSF-61 listed

dimensions

item no.	size (in.)	dimensions (in.)								weight (lb.)
		A	B	C	D	E	height	width	depth	
10066578	1/2	3.02	2.40	0.97	1.91	2.70	2.40	3.02	1.00	0.22

note: these fittings are crimped two-piece construction.



*lead free: The wetted surfaces of this product shall contain no more than 0.25% lead by weighted average. Complies with Federal Public Law 111-380. ANSI 3rd party approved and listed.